

# LM120/LM320 Series 3-Terminal Negative Regulators

## General Description

The LM120 series are three-terminal negative regulators with a fixed output voltage of  $-5V$ ,  $-12V$ , and  $-15V$ , and up to 1.5A load current capability. Where other voltages are required, the LM137 and LM137HV series provide an output voltage range of  $-1.2V$  to  $-47V$ .

The LM120 need only one external component—a compensation capacitor at the output, making them easy to apply. Worst case guarantees on output voltage deviation due to any combination of line, load or temperature variation assure satisfactory system operation.

Exceptional effort has been made to make the LM120 Series immune to overload conditions. The regulators have current limiting which is independent of temperature, combined with thermal overload protection. Internal current limiting protects against momentary faults while thermal shutdown prevents junction temperatures from exceeding safe limits during prolonged overloads.

Although primarily intended for fixed output voltage applications, the LM120 Series may be programmed for higher output voltages with a simple resistive divider. The low quiescent

drain current of the devices allows this technique to be used with good regulation.

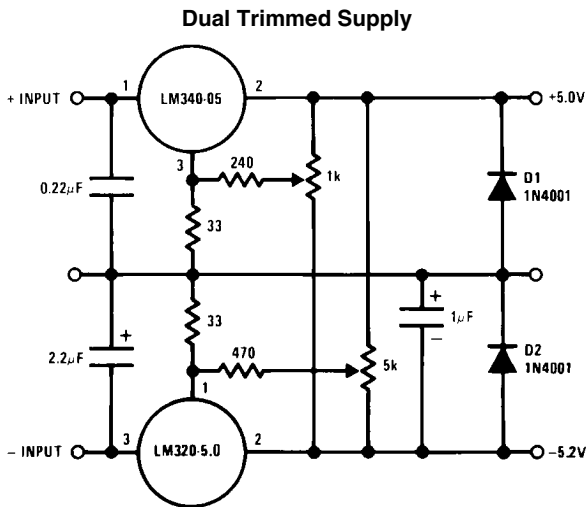
## Features

- Preset output voltage error less than  $\pm 3\%$
- Preset current limit
- Internal thermal shutdown
- Operates with input-output voltage differential down to 1V
- Excellent ripple rejection
- Low temperature drift
- Easily adjustable to higher output voltage

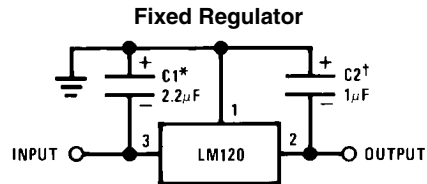
### LM120 Series Packages and Power Capability

| Device      | Package    | Rated Power Dissipation | Design Load Current |
|-------------|------------|-------------------------|---------------------|
| LM120/LM320 | TO-3 (K)   | 20W                     | 1.5A                |
|             | TO-39 (H)  | 2W                      | 0.5A                |
| LM320       | TO-220 (T) | 15W                     | 1.5A                |

## Typical Applications



776703



776702

\*Required if regulator is separated from filter capacitor by more than 3 inches. For value given, capacitor must be solid tantalum. 25  $\mu F$  aluminum electrolytic may be substituted.

†Required for stability. For value given, capacitor must be solid tantalum. 25  $\mu F$  aluminum electrolytic may be substituted. Values given may be increased without limit.

For output capacitance in excess of 100  $\mu F$ , a high current diode from input to output (1N4001, etc.) will protect the regulator from momentary input shorts.

**Absolute Maximum Ratings****-5 Volt Regulators** (Notes 5, 3)

If Military/Aerospace specified devices are required, please contact the National Semiconductor Sales Office/Distributors for availability and specifications.

Power Dissipation Internally Limited  
Input Voltage -25V

Input-Output Voltage Differential 25V  
Junction Temperatures (Note 1)  
Storage Temperature Range -65°C to +150°C  
Lead Temperature  
(Soldering, 10 sec.) 300°C  
Plastic 260°C

**-5 Volt Regulators  
Electrical Characteristics** (Note 3)

| Order Numbers   |  | Metal Can Package    |     |       |                      |     |       | Units              |
|---|--|----------------------|-----|-------|----------------------|-----|-------|--------------------|
|   |  | LM120K-5.0<br>(TO-3) |     |       | LM320K-5.0<br>(TO-3) |     |       |                    |
| Design Output Current ( $I_D$ )<br>Device Dissipation ( $P_D$ ) |  | 1.5A<br>20W          |     |       |                      |     |       |                    |
| Parameter   | Conditions (Note 1)  | Min                  | Typ | Max   | Min                  | Typ | Max   |                    |
| Output Voltage  | $T_J = 25^\circ\text{C}$ , $V_{IN} = 10\text{V}$ ,<br>$I_{LOAD} = 5\text{ mA}$   | -5.1                 | -5  | -4.9  | -5.2                 | -5  | -4.8  | V                  |
| Line Regulation   | $T_J = 25^\circ\text{C}$ , $I_{LOAD} = 5\text{ mA}$ ,<br>$V_{MIN} \leq V_{IN} \leq V_{MAX}$  |                      | 10  | 25    |                      | 10  | 40    | mV                 |
| Input Voltage   |  | -25                  |     | -7    | -25                  |     | -7    | V                  |
| Ripple Rejection  | $f = 120\text{ Hz}$  | 54                   | 64  |       | 54                   | 64  |       | dB                 |
| Load Regulation,<br>(Note 2)                                    | $T_J = 25^\circ\text{C}$ , $V_{IN} = 10\text{V}$ ,<br>$5\text{ mA} \leq I_{LOAD} \leq I_D$   |                      | 50  | 75    |                      | 60  | 100   | mV                 |
| Output Voltage,<br>(Note 1)                                     | $-7.5\text{V} \leq V_{IN} \leq V_{MAX}$ ,<br>$5\text{ mA} \leq I_{LOAD} \leq I_D$ , $P \leq P_D$   | -5.20                |     | -4.80 | -5.25                |     | -4.75 | V                  |
| Quiescent Current   | $V_{MIN} \leq V_{IN} \leq V_{MAX}$   |                      | 1   | 2     |                      | 1   | 2     | mA                 |
| Quiescent Current<br>Change                                     | $T_J = 25^\circ\text{C}$<br>$V_{MIN} \leq V_{IN} \leq V_{MAX}$<br>$5\text{ mA} \leq I_{LOAD} \leq I_D$   |                      | 0.1 | 0.4   |                      | 0.1 | 0.4   | mA                 |
| Output Noise Voltage  | $T_A = 25^\circ\text{C}$ , $C_L = 1\ \mu\text{F}$ , $I_L = 5\text{ mA}$ ,<br>$V_{IN} = 10\text{V}$ , $10\text{ Hz} \leq f \leq 100\text{ kHz}$ |                      | 150 |       |                      | 150 |       | $\mu\text{V}$      |
| Long Term Stability   |  |                      | 5   | 50    |                      | 5   | 50    | mV                 |
| Thermal Resistance  |  |                      |     |       |                      |     |       |                    |
| Junction to Case  |  |                      |     | 3     |                      |     | 3     | $^\circ\text{C/W}$ |
| Junction to Ambient   |  |                      |     | 35    |                      |     | 35    | $^\circ\text{C/W}$ |

## -5 Volt Regulators

### Electrical Characteristics (Note 3)

| Order Numbers   |  | Metal Can Package     |      |          |                       |      |          | Units              |
|---|--|-----------------------|------|----------|-----------------------|------|----------|--------------------|
|   |  | LM120H-5.0<br>(TO-39) |      |          | LM320H-5.0<br>(TO-39) |      |          |                    |
| Design Output Current ( $I_D$ )<br>Device Dissipation ( $P_D$ ) |  | 0.5A<br>2W            |      |          |                       |      |          |                    |
| Parameter   | Conditions (Note 1)  | Min                   | Typ  | Max      | Min                   | Typ  | Max      |                    |
| Output Voltage  | $T_J = 25^\circ\text{C}$ , $V_{IN} = 10\text{V}$ ,<br>$I_{LOAD} = 5\text{ mA}$   | -5.1                  | -5   | -4.9     | -5.2                  | -5   | -4.8     | V                  |
| Line Regulation   | $T_J = 25^\circ\text{C}$ , $I_{LOAD} = 5\text{ mA}$ ,<br>$V_{MIN} \leq V_{IN} \leq V_{MAX}$  |                       | 10   | 25       |                       | 10   | 40       | mV                 |
| Input Voltage   |  | -25                   |      | -7       | -25                   |      | -7       | V                  |
| Ripple Rejection  | $f = 120\text{ Hz}$  | 54                    | 64   |          | 54                    | 64   |          | dB                 |
| Load Regulation,<br>(Note 2)                                    | $T_J = 25^\circ\text{C}$ , $V_{IN} = 10\text{V}$ ,<br>$5\text{ mA} \leq I_{LOAD} \leq I_D$   |                       | 30   | 50       |                       | 30   | 50       | mV                 |
| Output Voltage,<br>(Note 1)                                     | $-7.5\text{V} \leq V_{IN} \leq V_{MAX}$ ,<br>$5\text{ mA} \leq I_{LOAD} \leq I_D$ , $P \leq P_D$   | -5.20                 |      | -4.80    | -5.25                 |      | -4.75    | V                  |
| Quiescent Current   | $V_{MIN} \leq V_{IN} \leq V_{MAX}$   |                       | 1    | 2        |                       | 1    | 2        | mA                 |
| Quiescent Current<br>Change                                     | $T_J = 25^\circ\text{C}$<br>$V_{MIN} \leq V_{IN} \leq V_{MAX}$<br>$5\text{ mA} \leq I_{LOAD} \leq I_D$   |                       | 0.05 | 0.4      |                       | 0.05 | 0.4      | mA                 |
|   |  |                       | 0.04 | 0.4      |                       | 0.04 | 0.4      | mA                 |
| Output Noise Voltage  | $T_A = 25^\circ\text{C}$ , $C_L = 1\ \mu\text{F}$ , $I_L = 5\text{ mA}$ ,<br>$V_{IN} = 10\text{V}$ , $10\text{ Hz} \leq f \leq 100\text{ kHz}$ |                       | 150  |          |                       | 150  |          | $\mu\text{V}$      |
| Long Term Stability   |  |                       | 5    | 50       |                       | 5    | 50       | mV                 |
| Thermal Resistance  | Junction to Case<br>Junction to Ambient  |                       |      | (Note 4) |                       |      | (Note 4) | $^\circ\text{C/W}$ |
|   |  |                       |      | (Note 4) |                       |      | (Note 4) | $^\circ\text{C/W}$ |

## -5 Volt Regulators

### Electrical Characteristics (Note 3)

| Order Numbers   |  | Power Plastic Package  |            |            | Units              |
|---|--|------------------------|------------|------------|--------------------|
|   |  | LM320T-5.0<br>(TO-220) |            |            |                    |
| Design Output Current ( $I_D$ )<br>Device Dissipation ( $P_D$ ) |  | 1.5A<br>15W            |            |            |                    |
| Parameter   | Conditions (Note 1)  | Min                    | Typ        | Max        |                    |
| Output Voltage  | $T_J = 25^\circ\text{C}$ , $V_{IN} = 10\text{V}$ ,<br>$I_{LOAD} = 5\text{ mA}$   | -5.2                   | -5         | -4.8       | V                  |
| Line Regulation   | $T_J = 25^\circ\text{C}$ , $I_{LOAD} = 5\text{ mA}$ ,<br>$V_{MIN} \leq V_{IN} \leq V_{MAX}$  |                        | 10         | 40         | mV                 |
| Input Voltage   |  | -25                    |            | -7.5       | V                  |
| Ripple Rejection  | $f = 120\text{ Hz}$  | 54                     | 64         |            | dB                 |
| Load Regulation,<br>(Note 2)                                    | $T_J = 25^\circ\text{C}$ , $V_{IN} = 10\text{V}$ ,<br>$5\text{ mA} \leq I_{LOAD} \leq I_D$   |                        | 50         | 100        | mV                 |
| Output Voltage,<br>(Note 1)                                     | $-7.5\text{V} \leq V_{IN} \leq V_{MAX}$ ,<br>$5\text{ mA} \leq I_{LOAD} \leq I_D$ , $P \leq P_D$   | -5.25                  |            | -4.75      | V                  |
| Quiescent Current   | $V_{MIN} \leq V_{IN} \leq V_{MAX}$   |                        | 1          |            | mA                 |
| Quiescent Current<br>Change                                     | $T_J = 25^\circ\text{C}$<br>$V_{MIN} \leq V_{IN} \leq V_{MAX}$<br>$5\text{ mA} \leq I_{LOAD} \leq I_D$   |                        | 0.1<br>0.1 | 0.4<br>0.4 | mA<br>mA           |
| Output Noise Voltage  | $T_A = 25^\circ\text{C}$ , $C_L = 1\ \mu\text{F}$ , $I_L = 5\text{ mA}$ ,<br>$V_{IN} = 10\text{V}$ , $10\text{ Hz} \leq f \leq 100\text{ kHz}$ |                        | 150        |            | $\mu\text{V}$      |
| Long Term Stability   |  |                        | 10         |            | mV                 |
| Thermal Resistance  |  |                        |            |            |                    |
| Junction to Case  |  |                        | 4          |            | $^\circ\text{C/W}$ |
| Junction to Ambient   |  |                        | 50         |            | $^\circ\text{C/W}$ |

**Note 1:** This specification applies over  $-55^\circ\text{C} \leq T_J \leq +150^\circ\text{C}$  for the LM120 and  $0^\circ\text{C} \leq T_J \leq +125^\circ\text{C}$  for the LM320.

**Note 2:** Regulation is measured at constant junction temperature. Changes in output voltage due to heating effects must be taken into account separately. To ensure constant junction temperature, low duty cycle, pulse testing is used. The LM120/LM320 series does have low thermal feedback, improving line and load regulation. On all other tests, even though power dissipation is internally limited, electrical specifications apply only up to  $P_D$ .

**Note 3:** For -5V 3 amp regulators, see LM145 data sheet.

**Note 4:** Thermal resistance of typically  $85^\circ\text{C/W}$  (in 400 linear feet air flow),  $224^\circ\text{C/W}$  (in static air) junction to ambient, of typically  $21^\circ\text{C/W}$  junction to case.

**Note 5:** Refer to RETS120-5H drawing for LM120H-5.0 or RETS120-5K drawing for LM120-5K military specifications.

**Absolute Maximum Ratings****-12 Volt Regulators** (Note 9)

If Military/Aerospace specified devices are required, please contact the National Semiconductor Sales Office/ Distributors for availability and specifications.

Power Dissipation Internally Limited  
Input Voltage -35V

Input-Output Voltage Differential 30V  
Junction Temperatures (Note 6)  
Storage Temperature Range -65°C to +150°C  
Lead Temperature  
(Soldering, 10 sec.) 300°C

**-12 Volt Regulators  
Electrical Characteristics**

| Order Numbers   |  | Metal Can Package   |     |       |                     |     |       | Units              |
|---|--|---------------------|-----|-------|---------------------|-----|-------|--------------------|
|   |  | LM120K-12<br>(TO-3) |     |       | LM320K-12<br>(TO-3) |     |       |                    |
| Design Output Current ( $I_D$ )<br>Device Dissipation ( $P_D$ ) |  | 1A<br>20W           |     |       |                     |     |       |                    |
| Parameter   | Conditions (Note 6)  | Min                 | Typ | Max   | Min                 | Typ | Max   |                    |
| Output Voltage  | $T_J = 25^\circ\text{C}$ , $V_{IN} = 17\text{V}$ ,<br>$I_{LOAD} = 5\text{ mA}$   | -12.3               | -12 | -11.7 | -12.4               | -12 | -11.6 | V                  |
| Line Regulation   | $T_J = 25^\circ\text{C}$ , $I_{LOAD} = 5\text{ mA}$ ,<br>$V_{MIN} \leq V_{IN} \leq V_{MAX}$  |                     | 4   | 10    |                     | 4   | 20    | mV                 |
| Input Voltage   |  | -32                 |     | -14   | -32                 |     | -14   | V                  |
| Ripple Rejection  | $f = 120\text{ Hz}$  | 56                  | 80  |       | 56                  | 80  |       | dB                 |
| Load Regulation,<br>(Note 7)                                    | $T_J = 25^\circ\text{C}$ , $V_{IN} = 17\text{V}$ ,<br>$5\text{ mA} \leq I_{LOAD} \leq I_D$   |                     | 30  | 80    |                     | 30  | 80    | mV                 |
| Output Voltage,<br>(Note 6)                                     | $14.5\text{V} \leq V_{IN} \leq V_{MAX}$ ,<br>$5\text{ mA} \leq I_{LOAD} \leq I_D$ , $P \leq P_D$   | -12.5               |     | -11.5 | -12.6               |     | -11.4 | V                  |
| Quiescent Current   | $V_{MIN} \leq V_{IN} \leq V_{MAX}$   |                     | 2   | 4     |                     | 2   | 4     | mA                 |
| Quiescent Current<br>Change                                     | $T_J = 25^\circ\text{C}$<br>$V_{MIN} \leq V_{IN} \leq V_{MAX}$<br>$5\text{ mA} \leq I_{LOAD} \leq I_D$   |                     | 0.1 | 0.4   |                     | 0.1 | 0.4   | mA                 |
|   |  |                     | 0.1 | 0.4   |                     | 0.1 | 0.4   | mA                 |
| Output Noise Voltage  | $T_A = 25^\circ\text{C}$ , $C_L = 1\ \mu\text{F}$ , $I_L = 5\text{ mA}$ ,<br>$V_{IN} = 17\text{V}$ , $10\text{ Hz} \leq f \leq 100\text{ kHz}$ |                     | 400 |       |                     | 400 |       | $\mu\text{V}$      |
| Long Term Stability   |  |                     | 12  | 120   |                     | 12  | 120   | mV                 |
| Thermal Resistance  | Junction to Case   |                     |     | 3     |                     |     | 3     | $^\circ\text{C/W}$ |
|   | Junction to Ambient  |                     |     | 35    |                     |     | 35    | $^\circ\text{C/W}$ |

**-12 Volt Regulators  
Electrical Characteristics**

| Order Numbers   |   | Metal Can Package    |     |       |                      |     |       | Units |
|---|---|----------------------|-----|-------|----------------------|-----|-------|-------|
|   |   | LM120H-12<br>(TO-39) |     |       | LM320H-12<br>(TO-39) |     |       |       |
| Design Output Current ( $I_D$ )<br>Device Dissipation ( $P_D$ ) |   | 0.2A<br>2W           |     |       |                      |     |       |       |
| Parameter   | Conditions (Note 6)   | Min                  | Typ | Max   | Min                  | Typ | Max   |       |
| Output Voltage  | $T_J = 25^\circ\text{C}$ , $V_{IN} = 17\text{V}$ ,<br>$I_{LOAD} = 5\text{ mA}$              | -12.3                | -12 | -11.7 | -12.4                | -12 | -11.6 | V     |
| Line Regulation   | $T_J = 25^\circ\text{C}$ , $I_{LOAD} = 5\text{ mA}$ ,<br>$V_{MIN} \leq V_{IN} \leq V_{MAX}$ |                      | 4   | 10    |                      | 4   | 20    | mV    |

| Order Numbers   |  | Metal Can Package    |              |                      |                      |              |                      | Units                                    |
|---|--|----------------------|--------------|----------------------|----------------------|--------------|----------------------|--|
|   |  | LM120H-12<br>(TO-39) |              |                      | LM320H-12<br>(TO-39) |              |                      |  |
| Design Output Current ( $I_D$ )<br>Device Dissipation ( $P_D$ ) |  | 0.2A<br>2W           |              |                      |                      |              |                      |  |
| Parameter   | Conditions (Note 6)  | Min                  | Typ          | Max                  | Min                  | Typ          | Max                  |  |
| Input Voltage   |  | -32                  |              | -14                  | -32                  |              | -14                  | V  |
| Ripple Rejection  | $f = 120 \text{ Hz}$   | 56                   | 80           |                      | 56                   | 80           |                      | dB                                       |
| Load Regulation,<br>(Note 7)                                    | $T_J = 25^\circ\text{C}$ , $V_{IN} = 17\text{V}$ ,<br>$5 \text{ mA} \leq I_{LOAD} \leq I_D$  |                      | 10           | 25                   |                      | 10           | 40                   | mV                                       |
| Output Voltage,<br>(Note 6)                                     | $14.5\text{V} \leq V_{IN} \leq V_{MAX}$ ,<br>$5 \text{ mA} \leq I_{LOAD} \leq I_D$ , $P \leq P_D$  | -12.5                |              | -11.5                | -12.6                |              | -11.4                | V  |
| Quiescent Current   | $V_{MIN} \leq V_{IN} \leq V_{MAX}$   |                      | 2            | 4                    |                      | 2            | 4                    | mA                                       |
| Quiescent Current<br>Change                                     | $T_J = 25^\circ\text{C}$<br>$V_{MIN} \leq V_{IN} \leq V_{MAX}$<br>$5 \text{ mA} \leq I_{LOAD} \leq I_D$  |                      | 0.05<br>0.03 | 0.4<br>0.4           |                      | 0.05<br>0.03 | 0.4<br>0.4           | mA<br>mA                                 |
| Output Noise Voltage  | $T_A = 25^\circ\text{C}$ , $C_L = 1 \mu\text{F}$ , $I_L = 5 \text{ mA}$ ,<br>$V_{IN} = 17\text{V}$ , $10 \text{ Hz} \leq f \leq 100 \text{ kHz}$ |                      | 400          |                      |                      | 400          |                      | $\mu\text{V}$                            |
| Long Term Stability   |  |                      | 12           | 120                  |                      | 12           | 120                  | mV                                       |
| Thermal Resistance<br>Junction to Case<br>Junction to Ambient   |  |                      |              | (Note 8)<br>(Note 8) |                      |              | (Note 8)<br>(Note 8) | $^\circ\text{C/W}$<br>$^\circ\text{C/W}$ |

## -12 Volt Regulators Electrical Characteristics

| Order Numbers   |  | Power Plastic Package |            |            | Units         |
|---|--|-----------------------|------------|------------|---------------|
|   |  | LM320T-12<br>(TO-220) |            |            |               |
| Design Output Current ( $I_D$ )<br>Device Dissipation ( $P_D$ ) |  | 1A<br>15W             |            |            |               |
| Parameter   | Conditions (Note 6)  | Min                   | Typ        | Max        |               |
| Output Voltage  | $T_J = 25^\circ\text{C}$ , $V_{IN} = 17\text{V}$ ,<br>$I_{LOAD} = 5 \text{ mA}$  | -12.4                 | -12        | -11.6      | V             |
| Line Regulation   | $T_J = 25^\circ\text{C}$ , $I_{LOAD} = 5 \text{ mA}$ ,<br>$V_{MIN} \leq V_{IN} \leq V_{MAX}$   |                       | 4          | 20         | mV            |
| Input Voltage   |  | -32                   |            | -14.5      | V             |
| Ripple Rejection  | $f = 120 \text{ Hz}$   | 56                    | 80         |            | dB            |
| Load Regulation,<br>(Note 7)                                    | $T_J = 25^\circ\text{C}$ , $V_{IN} = 17\text{V}$ ,<br>$5 \text{ mA} \leq I_{LOAD} \leq I_D$  |                       | 30         | 80         | mV            |
| Output Voltage,<br>(Note 6)                                     | $14.5\text{V} \leq V_{IN} \leq V_{MAX}$ ,<br>$5 \text{ mA} \leq I_{LOAD} \leq I_D$ , $P \leq P_D$  | -12.6                 |            | -11.4      | V             |
| Quiescent Current   | $V_{MIN} \leq V_{IN} \leq V_{MAX}$   |                       | 2          | 4          | mA            |
| Quiescent Current<br>Change                                     | $T_J = 25^\circ\text{C}$<br>$V_{MIN} \leq V_{IN} \leq V_{MAX}$<br>$5 \text{ mA} \leq I_{LOAD} \leq I_D$  |                       | 0.1<br>0.1 | 0.4<br>0.4 | mA<br>mA      |
| Output Noise Voltage  | $T_A = 25^\circ\text{C}$ , $C_L = 1 \mu\text{F}$ , $I_L = 5 \text{ mA}$ ,<br>$V_{IN} = 17\text{V}$ , $10 \text{ Hz} \leq f \leq 100 \text{ kHz}$ |                       | 400        |            | $\mu\text{V}$ |
| Long Term Stability   |  |                       | 24         |            | mV            |

| Order Numbers                   |                     | Power Plastic Package |     |     | Units |
|---------------------------------|---------------------|-----------------------|-----|-----|-------|
|                                 |                     | LM320T-12<br>(TO-220) |     |     |       |
| Design Output Current ( $I_D$ ) |                     | 1A                    |     |     |       |
| Device Dissipation ( $P_D$ )    |                     | 15W                   |     |     |       |
| Parameter                       | Conditions (Note 6) | Min                   | Typ | Max |       |
| Thermal Resistance              |                     |                       |     |     |       |
| Junction to Case                |                     |                       | 4   |     | °C/W  |
| Junction to Ambient             |                     |                       | 50  |     | °C/W  |

**Note 6:** This specification applies over  $-55^{\circ}\text{C} \leq T_J \leq +150^{\circ}\text{C}$  for the LM120 and  $0^{\circ}\text{C} \leq T_J \leq +125^{\circ}\text{C}$  for the LM320.

**Note 7:** Regulation is measured at constant junction temperature. Changes in output voltage due to heating effects must be taken into account separately. To ensure constant junction temperature, low duty cycle, pulse testing is used. The LM120/LM320 series does have low thermal feedback, improving line and load regulation. On all other tests, even though power dissipation is internally limited, electrical specifications apply only up to  $P_D$ .

**Note 8:** Thermal resistance of typically  $85^{\circ}\text{C}/\text{W}$  (in 400 linear feet/min air flow),  $224^{\circ}\text{C}/\text{W}$  (in static air) junction to ambient, of typically  $21^{\circ}\text{C}/\text{W}$  junction to case.

**Note 9:** Refer to RETS120H-12 drawing for LM120H-12 or RETS120-12K drawing for LM120K-12 military specifications.

## Absolute Maximum Ratings

### -15 Volt Regulators (Note 13)

If Military/Aerospace specified devices are required, please contact the National Semiconductor Sales Office/Distributors for availability and specifications.

Power Dissipation Internally Limited  
Input Voltage

|  |                 |
|--|-----------------|
| LM120/LM320                              | -40V            |
| LM320T                                   | -35V            |
| Input-Output Voltage Differential        | 30V             |
| Junction Temperatures                    | (Note 10)       |
| Storage Temperature Range                | -65°C to +150°C |
| Lead Temperature<br>(Soldering, 10 sec.) | 300°C           |

## -15 Volt Regulators Electrical Characteristics

| Order Numbers   |  | Metal Can Package   |     |       |                     |     |       | Units              |
|---|--|---------------------|-----|-------|---------------------|-----|-------|--------------------|
|   |  | LM120K-15<br>(TO-3) |     |       | LM320K-15<br>(TO-3) |     |       |                    |
| Design Output Current ( $I_D$ )<br>Device Dissipation ( $P_D$ ) |  | 1A<br>20W           |     |       |                     |     |       | Units              |
| Parameter   | Conditions (Note 10)   | Min                 | Typ | Max   | Min                 | Typ | Max   |                    |
| Output Voltage  | $T_J = 25^\circ\text{C}$ , $V_{IN} = 20\text{V}$ ,<br>$I_{LOAD} = 5\text{ mA}$   | -15.3               | -15 | -14.7 | -15.4               | -15 | -14.6 | V                  |
| Line Regulation   | $T_J = 25^\circ\text{C}$ , $I_{LOAD} = 5\text{ mA}$ ,<br>$V_{MIN} \leq V_{IN} \leq V_{MAX}$  |                     | 5   | 10    |                     | 5   | 20    | mV                 |
| Input Voltage   |  | -35                 |     | -17   | -35                 |     | -17   | V                  |
| Ripple Rejection  | $f = 120\text{ Hz}$  | 56                  | 80  |       | 56                  | 80  |       | dB                 |
| Load Regulation,<br>(Note 11)                                   | $T_J = 25^\circ\text{C}$ , $V_{IN} = 20\text{V}$ ,<br>$5\text{ mA} \leq I_{LOAD} \leq I_D$   |                     | 30  | 80    |                     | 30  | 80    | mV                 |
| Output Voltage,<br>(Note 10)                                    | $17.5\text{V} \leq V_{IN} \leq V_{MAX}$ ,<br>$5\text{ mA} \leq I_{LOAD} \leq I_D$ , $P \leq P_D$   | -15.5               |     | -14.5 | -15.6               |     | -14.4 | V                  |
| Quiescent Current   | $V_{MIN} \leq V_{IN} \leq V_{MAX}$   |                     | 2   | 4     |                     | 2   | 4     | mA                 |
| Quiescent Current<br>Change                                     | $T_J = 25^\circ\text{C}$<br>$V_{MIN} \leq V_{IN} \leq V_{MAX}$<br>$5\text{ mA} \leq I_{LOAD} \leq I_D$   |                     | 0.1 | 0.4   |                     | 0.1 | 0.4   | mA                 |
| Output Noise Voltage  | $T_A = 25^\circ\text{C}$ , $C_L = 1\text{ }\mu\text{F}$ , $I_L = 5\text{ mA}$ ,<br>$V_{IN} = 20\text{V}$ , $10\text{ Hz} \leq f \leq 100\text{ kHz}$ |                     | 400 |       |                     | 400 |       | $\mu\text{V}$      |
| Long Term Stability   |  |                     | 15  | 150   |                     | 15  | 150   | mV                 |
| Thermal Resistance  |  |                     |     |       |                     |     |       |                    |
| Junction to Case  |  |                     |     | 3     |                     |     | 3     | $^\circ\text{C/W}$ |
| Junction to Ambient   |  |                     |     | 35    |                     |     | 35    | $^\circ\text{C/W}$ |

## -15 Volt Regulators Electrical Characteristics

| Order Numbers   |   | Metal Can Package    |     |       |                      |     |       | Units |
|---|---|----------------------|-----|-------|----------------------|-----|-------|-------|
|   |   | LM120H-15<br>(TO-39) |     |       | LM320H-15<br>(TO-39) |     |       |       |
| Design Output Current ( $I_D$ )<br>Device Dissipation ( $P_D$ ) |   | 0.2A<br>2W           |     |       |                      |     |       | Units |
| Parameter   | Conditions (Note 10)  | Min                  | Typ | Max   | Min                  | Typ | Max   |       |
| Output Voltage  | $T_J = 25^\circ\text{C}$ , $V_{IN} = 20\text{V}$ ,<br>$I_{LOAD} = 5\text{ mA}$              | -15.3                | -15 | -14.7 | -15.4                | -15 | -14.6 | V     |
| Line Regulation   | $T_J = 25^\circ\text{C}$ , $I_{LOAD} = 5\text{ mA}$ ,<br>$V_{MIN} \leq V_{IN} \leq V_{MAX}$ |                      | 5   | 10    |                      | 5   | 20    | mV    |



| Order Numbers   |  | Metal Can Package    |      |           |                      |      |           | Units              |
|---|--|----------------------|------|-----------|----------------------|------|-----------|--------------------|
|   |  | LM120H-15<br>(TO-39) |      |           | LM320H-15<br>(TO-39) |      |           |                    |
| Design Output Current ( $I_D$ )<br>Device Dissipation ( $P_D$ ) |  | 0.2A<br>2W           |      |           |                      |      |           |                    |
| Parameter   | Conditions (Note 10)   | Min                  | Typ  | Max       | Min                  | Typ  | Max       |                    |
| Input Voltage   |  | -35                  |      | -17       | -35                  |      | -17       | V                  |
| Ripple Rejection  | $f = 120 \text{ Hz}$   | 56                   | 80   |           | 56                   | 80   |           | dB                 |
| Load Regulation,<br>(Note 11)                                   | $T_J = 25^\circ\text{C}$ , $V_{IN} = 20\text{V}$ ,<br>$5 \text{ mA} \leq I_{LOAD} \leq I_D$  |                      | 10   | 25        |                      | 10   | 40        | mV                 |
| Output Voltage,<br>(Note 10)                                    | $17.5\text{V} \leq V_{IN} \leq V_{MAX}$ ,<br>$5 \text{ mA} \leq I_{LOAD} \leq I_D$ , $P \leq P_D$  | -15.5                |      | -14.5     | -15.6                |      | -14.4     | V                  |
| Quiescent Current   | $V_{MIN} \leq V_{IN} \leq V_{MAX}$   |                      | 2    | 4         |                      | 2    | 4         | mA                 |
| Quiescent Current<br>Change                                     | $T_J = 25^\circ\text{C}$<br>$V_{MIN} \leq V_{IN} \leq V_{MAX}$<br>$5 \text{ mA} \leq I_{LOAD} \leq I_D$  |                      | 0.05 | 0.4       |                      | 0.05 | 0.4       | mA                 |
|   |  |                      | 0.03 | 0.4       |                      | 0.03 | 0.4       | mA                 |
| Output Noise Voltage  | $T_A = 25^\circ\text{C}$ , $C_L = 1 \mu\text{F}$ , $I_L = 5 \text{ mA}$ ,<br>$V_{IN} = 20\text{V}$ , $10 \text{ Hz} \leq f \leq 100 \text{ kHz}$ |                      | 400  |           |                      | 400  |           | $\mu\text{V}$      |
| Long Term Stability   |  |                      | 15   | 150       |                      | 15   | 150       | mV                 |
| Thermal Resistance<br>Junction to Case<br>Junction to Ambient   |  |                      |      | (Note 12) |                      |      | (Note 12) | $^\circ\text{C/W}$ |
|   |  |                      |      | (Note 12) |                      |      | (Note 12) | $^\circ\text{C/W}$ |

## -15 Volt Regulators Electrical Characteristics

| Order Numbers   |  | Power Plastic Package |     |       | Units         |
|---|--|-----------------------|-----|-------|---------------|
|   |  | LM320T-15<br>(TO-220) |     |       |               |
| Design Output Current ( $I_D$ )<br>Device Dissipation ( $P_D$ ) |  | 1A<br>15W             |     |       |               |
| Parameter   | Conditions (Note 10)   | Min                   | Typ | Max   |               |
| Output Voltage  | $T_J = 25^\circ\text{C}$ , $V_{IN} = 20\text{V}$ ,<br>$I_{LOAD} = 5 \text{ mA}$  | -15.5                 | -15 | -14.5 | V             |
| Line Regulation   | $T_J = 25^\circ\text{C}$ , $I_{LOAD} = 5 \text{ mA}$ ,<br>$V_{MIN} \leq V_{IN} \leq V_{MAX}$   |                       | 5   | 20    | mV            |
| Input Voltage   |  | -35                   |     | -17.5 | V             |
| Ripple Rejection  | $f = 120 \text{ Hz}$   | 56                    | 80  |       | dB            |
| Load Regulation,<br>(Note 11)                                   | $T_J = 25^\circ\text{C}$ , $V_{IN} = 20\text{V}$ ,<br>$5 \text{ mA} \leq I_{LOAD} \leq I_D$  |                       | 30  | 80    | mV            |
| Output Voltage,<br>(Note 10)                                    | $17.5\text{V} \leq V_{IN} \leq V_{MAX}$ ,<br>$5 \text{ mA} \leq I_{LOAD} \leq I_D$ , $P \leq P_D$  | -15.7                 |     | -14.3 | V             |
| Quiescent Current   | $V_{MIN} \leq V_{IN} \leq V_{MAX}$   |                       | 2   | 4     | mA            |
| Quiescent Current<br>Change                                     | $T_J = 25^\circ\text{C}$<br>$V_{MIN} \leq V_{IN} \leq V_{MAX}$<br>$5 \text{ mA} \leq I_{LOAD} \leq I_D$  |                       | 0.1 | 0.4   | mA            |
|   |  |                       | 0.1 | 0.4   | mA            |
| Output Noise Voltage  | $T_A = 25^\circ\text{C}$ , $C_L = 1 \mu\text{F}$ , $I_L = 5 \text{ mA}$ ,<br>$V_{IN} = 20\text{V}$ , $10 \text{ Hz} \leq f \leq 100 \text{ kHz}$ |                       | 400 |       | $\mu\text{V}$ |
| Long Term Stability   |  |                       | 30  |       | mV            |

| Order Numbers   |                      | Power Plastic Package |     |     | Units                       |
|---|----------------------|-----------------------|-----|-----|-----------------------------|
|   |                      | LM320T-15<br>(TO-220) |     |     |                             |
| Design Output Current ( $I_D$ )<br>Device Dissipation ( $P_D$ ) |                      | 1A<br>15W             |     |     |                             |
| Parameter   | Conditions (Note 10) | Min                   | Typ | Max |                             |
| Thermal Resistance  |                      |                       |     |     |                             |
| Junction to Case  |                      |                       | 4   |     | $^{\circ}\text{C}/\text{W}$ |
| Junction to Ambient   |                      |                       | 50  |     | $^{\circ}\text{C}/\text{W}$ |

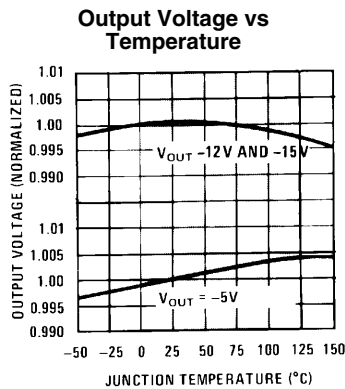
**Note 10:** This specification applies over  $-55^{\circ}\text{C} \leq T_J \leq +150^{\circ}\text{C}$  for the LM120 and  $0^{\circ}\text{C} \leq T_J \leq +125^{\circ}\text{C}$  for the LM320.

**Note 11:** Regulation is measured at constant junction temperature. Changes in output voltage due to heating effects must be taken into account separately. To ensure constant junction temperature, low duty cycle, pulse testing is used. The LM120/LM320 series does have low thermal feedback, improving line and load regulation. On all other tests, even though power dissipation is internally limited, electrical specifications apply only up to  $P_D$ .

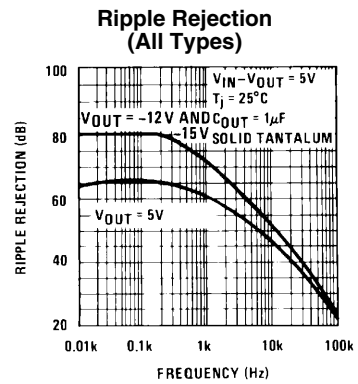
**Note 12:** Thermal resistance of typically  $85^{\circ}\text{C}/\text{W}$  (in 400 linear feet/min air flow),  $224^{\circ}\text{C}/\text{W}$  (in static air) junction to ambient, of typically  $21^{\circ}\text{C}/\text{W}$  junction to case.

**Note 13:** Refer to RETS120-15H drawing for LM120H-15 or RETS120-15K drawing for LM120K-15 military specifications.

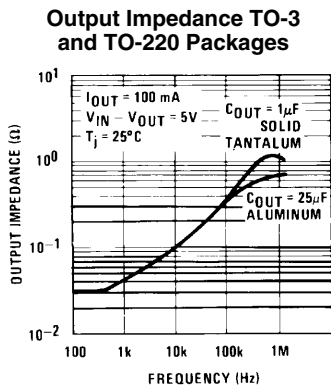
## Typical Performance Characteristics



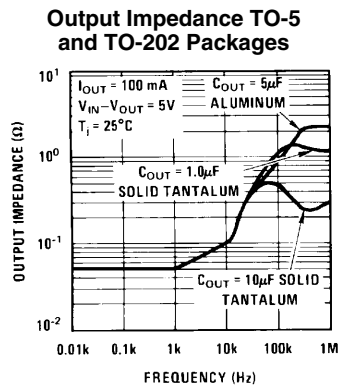
776720



776721

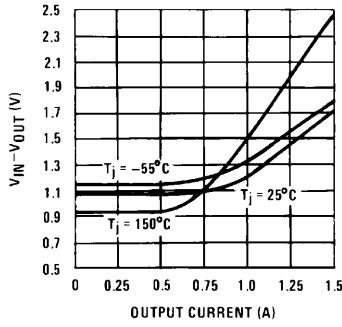


776722



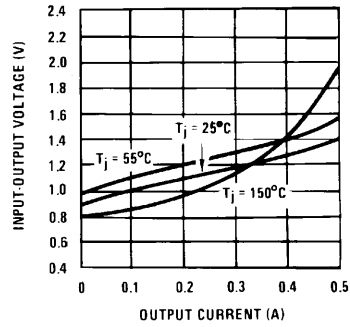
776723

**Minimum Input-Output Differential TO-3 and TO-220 Packages**



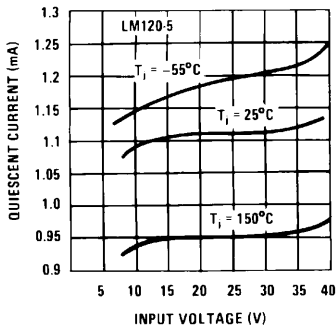
776724

**Minimum Input-Output Differential TO-5 and TO-202 Packages**



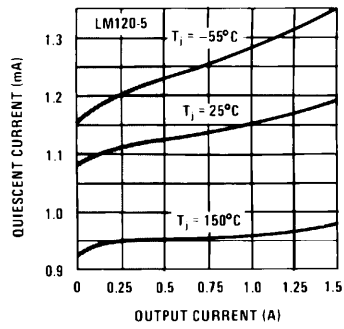
776725

**Quiescent Current vs Input Voltage**



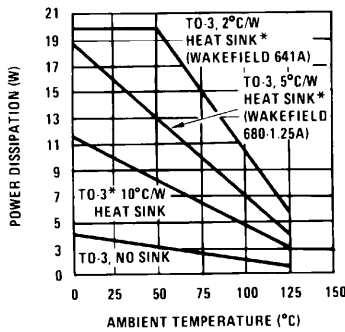
776726

**Quiescent Current vs Load Current**



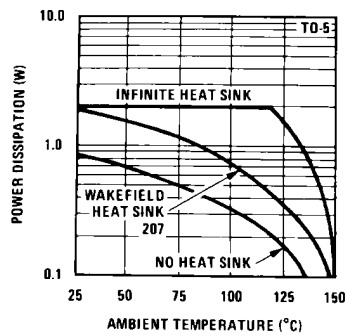
776727

**Maximum Average Power Dissipation (TO-3)**



776728

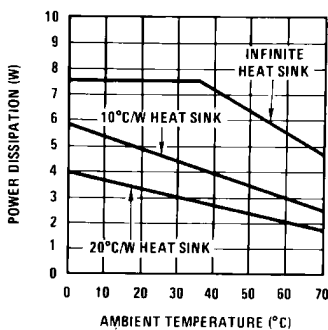
**Maximum Average Power Dissipation (TO-5)**



776729

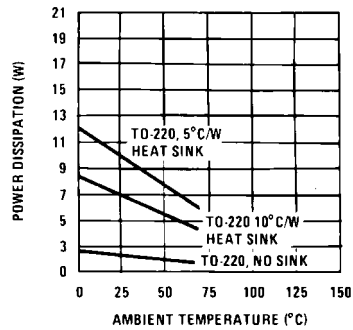
\*These curves for LM120. Derate 25°C further for LM320.

**Maximum Average Power Dissipation (TO-202)**

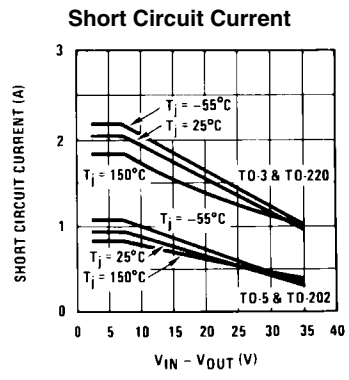


776730

**Maximum Average Power Dissipation (TO-220)**



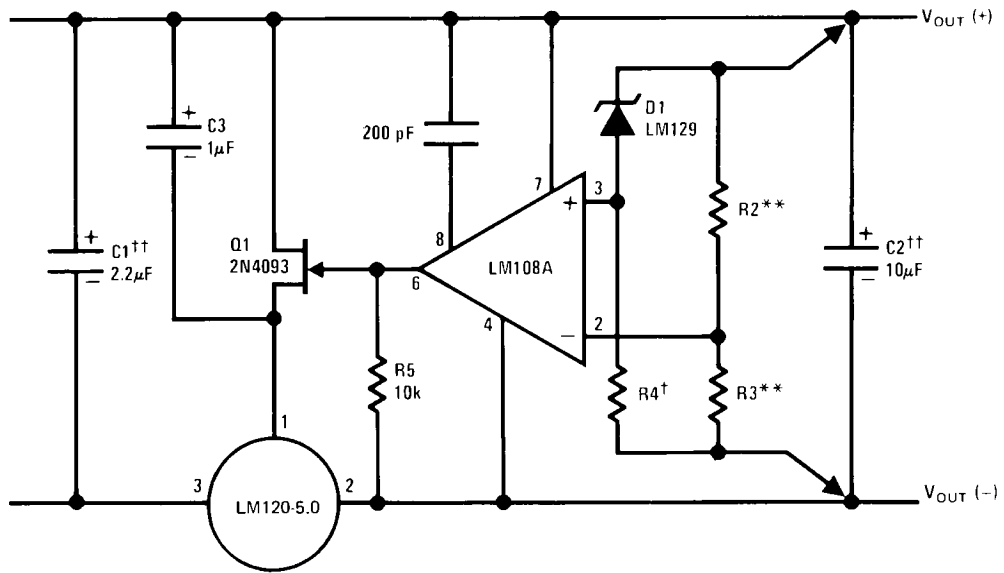
776731



776732

# Typical Applications

## High Stability 1 Amp Regulator



776706

Load and line regulation — 0.01% temperature stability — 0.2%

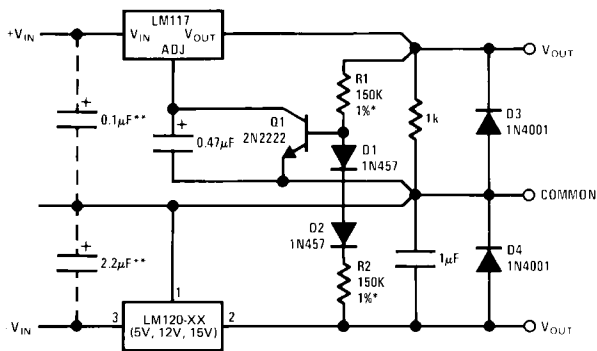
†Determines Zener current.

††Solid tantalum.

An LM120-12 or LM120-15 may be used to permit higher input voltages, but the regulated output voltage must be at least -15V when using the LM120-12 and -18V for the LM120-15.

\*\*Select resistors to set output voltage. 2 ppm/°C tracking suggested.

## Wide Range Tracking Regulator



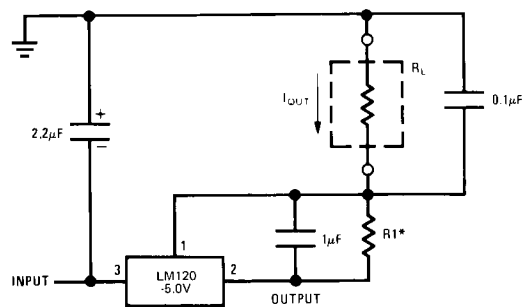
776707

\*Resistor tolerance of R1 and R2 determine matching of (+) and (-) inputs.

\*\*Necessary only if raw supply capacitors are more than 3 from regulators

An LM3086N array may substitute for Q1, D1 and D2 for better stability and tracking. In the array diode transistors Q5 and Q4 (in parallel) make up D2; similarly, Q1 and Q2 become D1 and Q3 replaces the 2N2222.

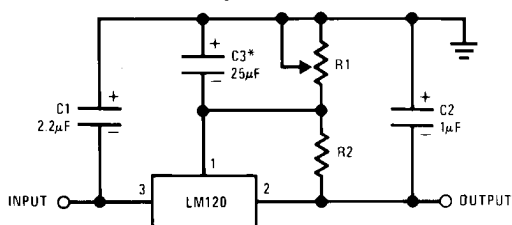
## Current Source



776708

$$*I_{OUT} = 1 \text{ mA} + \frac{5.0V}{R1}$$

## Variable Output Current Source



776709

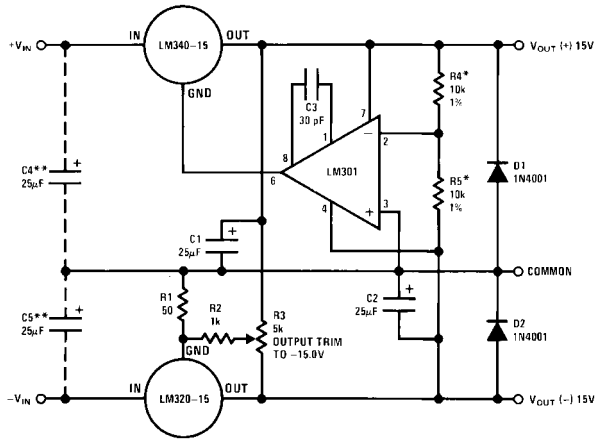
SELECT R2 AS FOLLOWS:

|          |      |
|----------|------|
| LM120-5  | 300Ω |
| LM120-12 | 750Ω |
| LM120-15 | 1k   |

$$V_{OUT} = V_{SET} \frac{R1 + R2}{R2}$$

\*C3 optional. Improves transient response and ripple rejection.

**±15V, 1 Amp Tracking Regulators**



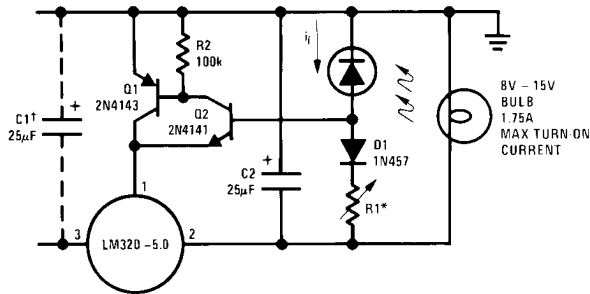
776712

**Performance (Typical)**

|  |                   |                   |
|--|-------------------|-------------------|
| Load Regulation at $\Delta I_L = 1A$                 | 10 mV             | 1 mV              |
| Output Ripple, $C_{IN} = 3000 \mu F$ ,<br>$I_L = 1A$ | 100 $\mu V_{rms}$ | 100 $\mu V_{rms}$ |
| Temperature Stability                                | +50 mV            | +50 mV            |
| Output Noise $10 Hz \leq f \leq 10 kHz$              | 150 $\mu V_{rms}$ | 150 $\mu V_{rms}$ |

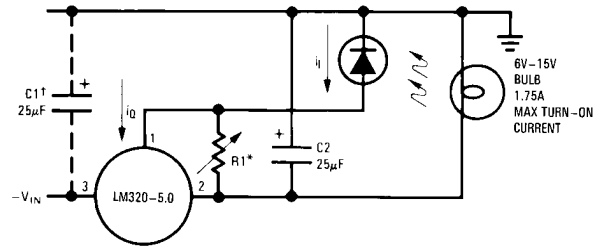
\*Resistor tolerance of R4 and R5 determine matching of (+) and (-) outputs.  
\*\*Necessary only if raw supply filter capacitors are more than 2 inches from regulators.

**Light Controllers Using Silicon Photo Cells**



776710

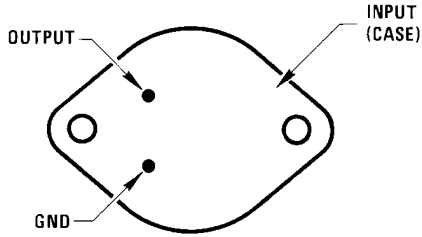
\*Lamp brightness increases until  $i_i = 5V/R1$  ( $i_i$  can be set as low as 1  $\mu A$ ).  
†Necessary only if raw supply filter capacitor is more than 2 inches from LM320MP.



776711

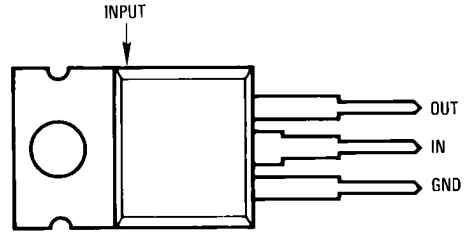
\*Lamp brightness increases until  $i_i = i_Q (1 mA) + 5V/R1$ .  
†Necessary only if raw supply filter capacitor is more than 2 inches from LM320.

## Connection Diagrams



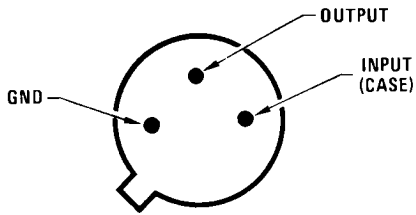
776714

**Bottom View**  
**Steel Metal Can Package TO-3 (K)**  
 Order Number LM120K-5.0/883, LM120K-12/883,  
 LM120K-15/883, LM320K-5.0, LM320K-12 or LM320K-15  
 See NS Package Number K02A



776717

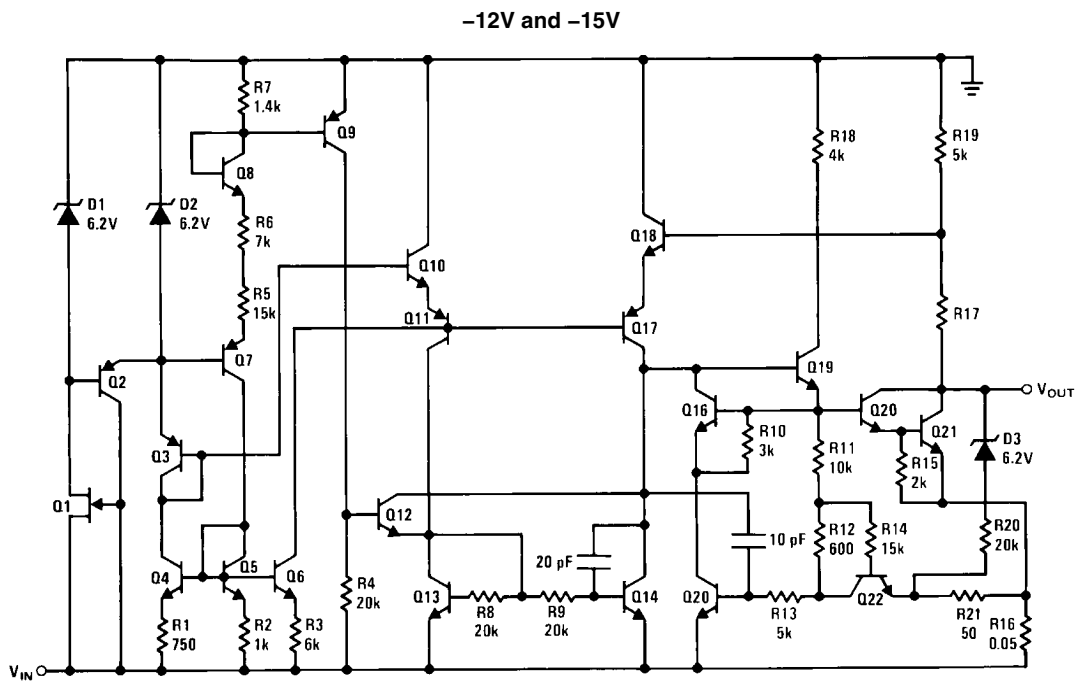
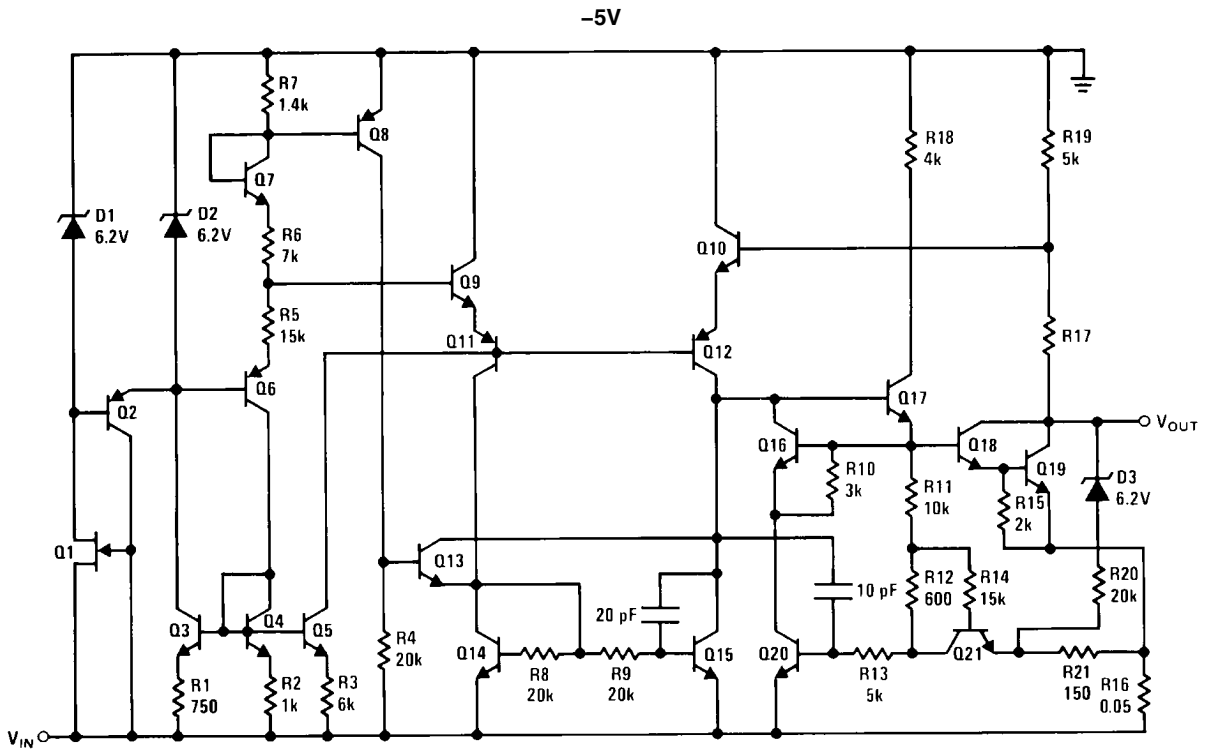
**Front View**  
**Power Package TO-220 (T)**  
 Order Number LM320T-5.0, LM320T-12 or LM320T-15  
 See NS Package Number T03B



776713

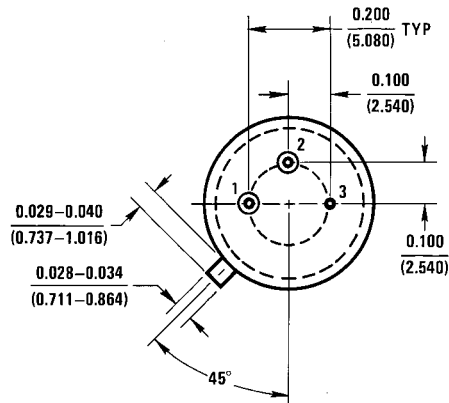
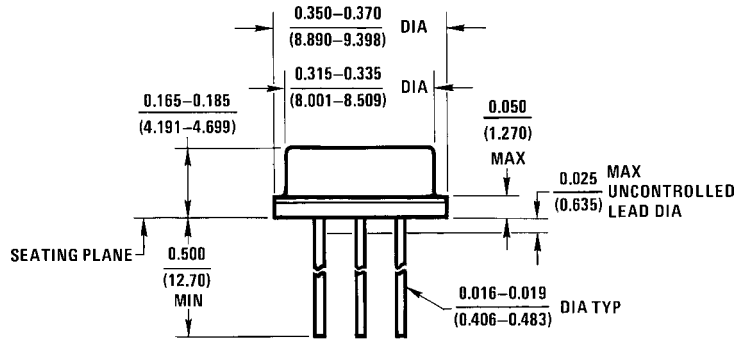
**Bottom View**  
**Metal Can Package TO-39 (H)**  
 Order Number LM120H-5.0, LM120H-12, LM120H-15,  
 LM120H-5.0/883, LM120H-12/883, LM120H-15/883,  
 LM320H-5.0, LM320H-12 or LM320H-15  
 See NS Package Number H03A

Schematic Diagrams



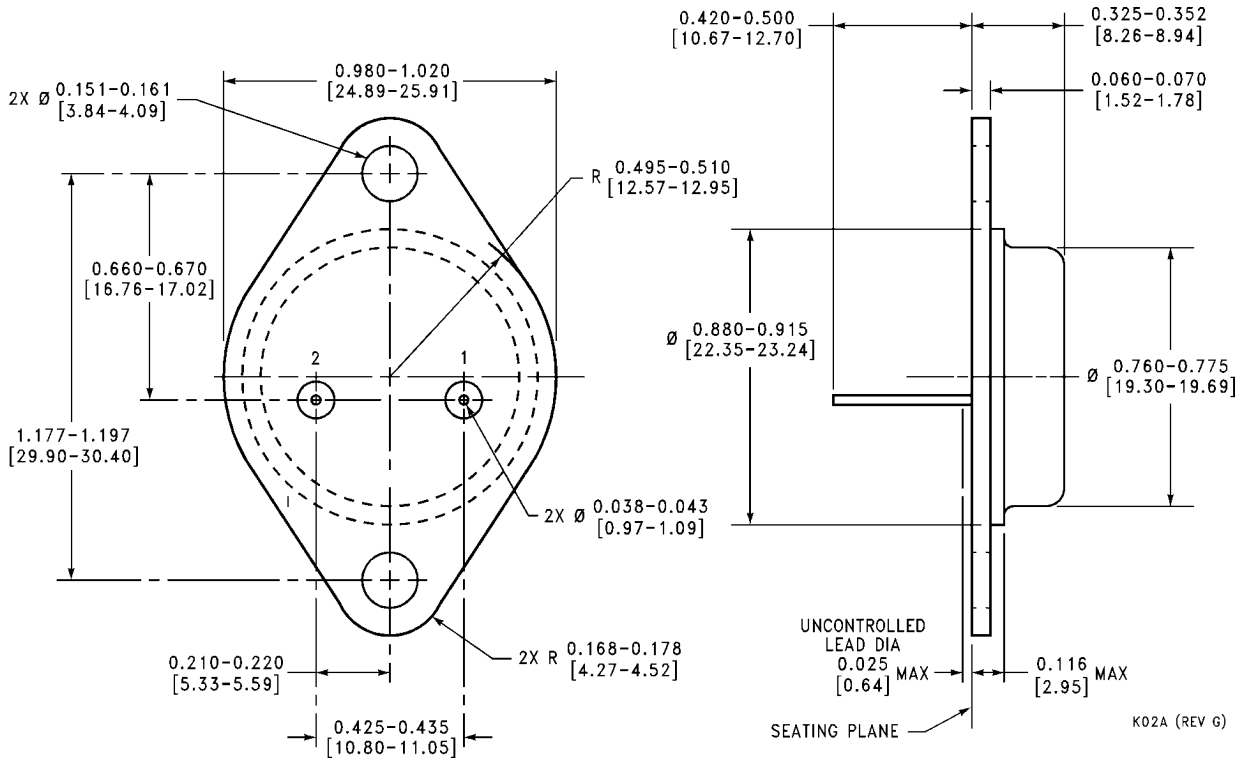


**Physical Dimensions** inches (millimeters) unless otherwise noted

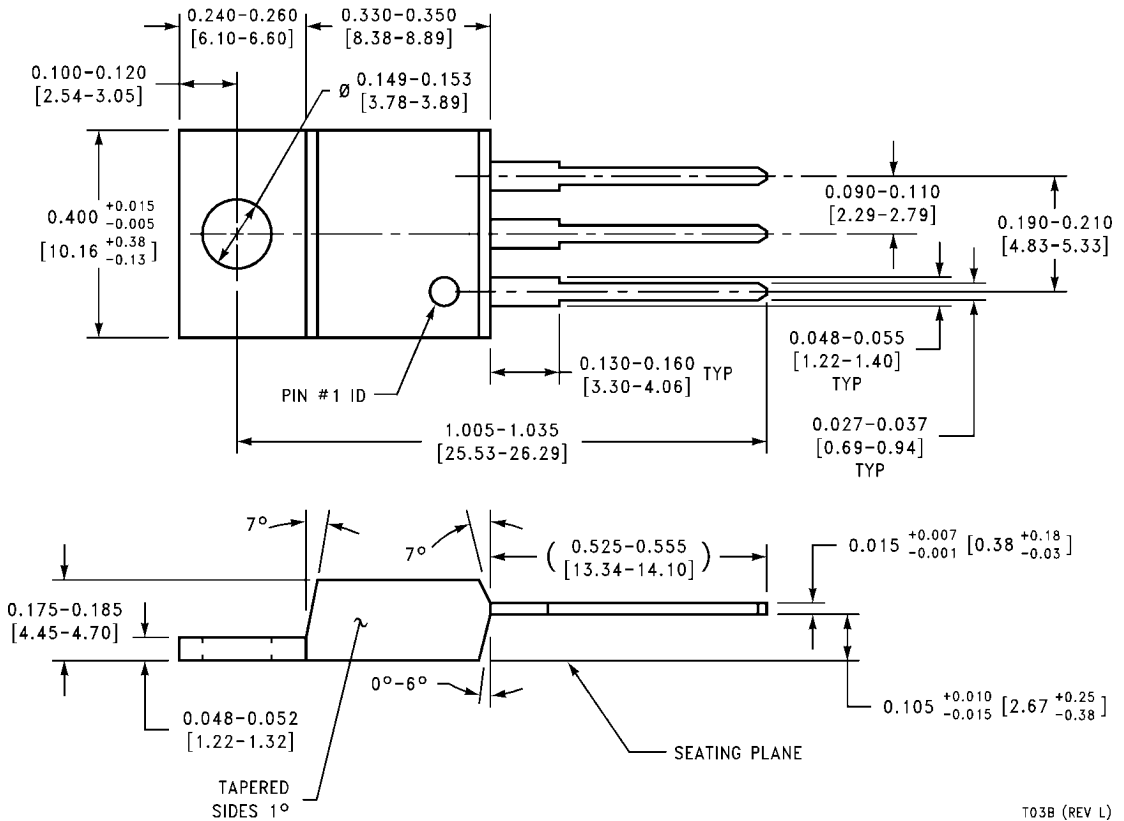


H03A (REV B)

**Metal Can Package (TO-39) (H)**  
**Order Number LM120H-5.0, LM120H-12, LM120H-15, LM320H-5.0, LM320H-12 or LM320H-15**  
**NS Package Number H03A**



**Steel Metal Can Package TO-3 (K)**  
**Order Number LM120K-5.0, LM120K-12, LM120K-15, LM320K-5.0, LM320K-12 or LM320K-15**  
**NS Package Number K02A**



**Power Package TO-220 (T)**  
**Order Number LM320T-5.0, LM320T-12 or LM320T-15**  
**NS Package Number T03B**

# Notes

LM120/LM320

## Notes

For more National Semiconductor product information and proven design tools, visit the following Web sites at:

| Products                       |  | Design Support          |  |
|--------------------------------|--|-------------------------|--|
| Amplifiers                     | <a href="http://www.national.com/amplifiers">www.national.com/amplifiers</a>   | WEBENCH                 | <a href="http://www.national.com/webench">www.national.com/webench</a>             |
| Audio                          | <a href="http://www.national.com/audio">www.national.com/audio</a>             | Analog University       | <a href="http://www.national.com/AU">www.national.com/AU</a>                       |
| Clock Conditioners             | <a href="http://www.national.com/timing">www.national.com/timing</a>           | App Notes               | <a href="http://www.national.com/appnotes">www.national.com/appnotes</a>           |
| Data Converters                | <a href="http://www.national.com/adc">www.national.com/adc</a>                 | Distributors            | <a href="http://www.national.com/contacts">www.national.com/contacts</a>           |
| Displays                       | <a href="http://www.national.com/displays">www.national.com/displays</a>       | Green Compliance        | <a href="http://www.national.com/quality/green">www.national.com/quality/green</a> |
| Ethernet                       | <a href="http://www.national.com/ethernet">www.national.com/ethernet</a>       | Packaging               | <a href="http://www.national.com/packaging">www.national.com/packaging</a>         |
| Interface                      | <a href="http://www.national.com/interface">www.national.com/interface</a>     | Quality and Reliability | <a href="http://www.national.com/quality">www.national.com/quality</a>             |
| LVDS                           | <a href="http://www.national.com/lvds">www.national.com/lvds</a>               | Reference Designs       | <a href="http://www.national.com/refdesigns">www.national.com/refdesigns</a>       |
| Power Management               | <a href="http://www.national.com/power">www.national.com/power</a>             | Feedback                | <a href="http://www.national.com/feedback">www.national.com/feedback</a>           |
| Switching Regulators           | <a href="http://www.national.com/switchers">www.national.com/switchers</a>     |                         |  |
| LDOs                           | <a href="http://www.national.com/ldo">www.national.com/ldo</a>                 |                         |  |
| LED Lighting                   | <a href="http://www.national.com/led">www.national.com/led</a>                 |                         |  |
| PowerWise                      | <a href="http://www.national.com/powerwise">www.national.com/powerwise</a>     |                         |  |
| Serial Digital Interface (SDI) | <a href="http://www.national.com/sdi">www.national.com/sdi</a>                 |                         |  |
| Temperature Sensors            | <a href="http://www.national.com/tempsensors">www.national.com/tempsensors</a> |                         |  |
| Wireless (PLL/VCO)             | <a href="http://www.national.com/wireless">www.national.com/wireless</a>       |                         |  |

THE CONTENTS OF THIS DOCUMENT ARE PROVIDED IN CONNECTION WITH NATIONAL SEMICONDUCTOR CORPORATION ("NATIONAL") PRODUCTS. NATIONAL MAKES NO REPRESENTATIONS OR WARRANTIES WITH RESPECT TO THE ACCURACY OR COMPLETENESS OF THE CONTENTS OF THIS PUBLICATION AND RESERVES THE RIGHT TO MAKE CHANGES TO SPECIFICATIONS AND PRODUCT DESCRIPTIONS AT ANY TIME WITHOUT NOTICE. NO LICENSE, WHETHER EXPRESS, IMPLIED, ARISING BY ESTOPPEL OR OTHERWISE, TO ANY INTELLECTUAL PROPERTY RIGHTS IS GRANTED BY THIS DOCUMENT.

TESTING AND OTHER QUALITY CONTROLS ARE USED TO THE EXTENT NATIONAL DEEMS NECESSARY TO SUPPORT NATIONAL'S PRODUCT WARRANTY. EXCEPT WHERE MANDATED BY GOVERNMENT REQUIREMENTS, TESTING OF ALL PARAMETERS OF EACH PRODUCT IS NOT NECESSARILY PERFORMED. NATIONAL ASSUMES NO LIABILITY FOR APPLICATIONS ASSISTANCE OR BUYER PRODUCT DESIGN. BUYERS ARE RESPONSIBLE FOR THEIR PRODUCTS AND APPLICATIONS USING NATIONAL COMPONENTS. PRIOR TO USING OR DISTRIBUTING ANY PRODUCTS THAT INCLUDE NATIONAL COMPONENTS, BUYERS SHOULD PROVIDE ADEQUATE DESIGN, TESTING AND OPERATING SAFEGUARDS.

EXCEPT AS PROVIDED IN NATIONAL'S TERMS AND CONDITIONS OF SALE FOR SUCH PRODUCTS, NATIONAL ASSUMES NO LIABILITY WHATSOEVER, AND NATIONAL DISCLAIMS ANY EXPRESS OR IMPLIED WARRANTY RELATING TO THE SALE AND/OR USE OF NATIONAL PRODUCTS INCLUDING LIABILITY OR WARRANTIES RELATING TO FITNESS FOR A PARTICULAR PURPOSE, MERCHANTABILITY, OR INFRINGEMENT OF ANY PATENT, COPYRIGHT OR OTHER INTELLECTUAL PROPERTY RIGHT.

### LIFE SUPPORT POLICY

**NATIONAL'S PRODUCTS ARE NOT AUTHORIZED FOR USE AS CRITICAL COMPONENTS IN LIFE SUPPORT DEVICES OR SYSTEMS WITHOUT THE EXPRESS PRIOR WRITTEN APPROVAL OF THE CHIEF EXECUTIVE OFFICER AND GENERAL COUNSEL OF NATIONAL SEMICONDUCTOR CORPORATION.** As used herein:

Life support devices or systems are devices which (a) are intended for surgical implant into the body, or (b) support or sustain life and whose failure to perform when properly used in accordance with instructions for use provided in the labeling can be reasonably expected to result in a significant injury to the user. A critical component is any component in a life support device or system whose failure to perform can be reasonably expected to cause the failure of the life support device or system or to affect its safety or effectiveness.

National Semiconductor and the National Semiconductor logo are registered trademarks of National Semiconductor Corporation. All other brand or product names may be trademarks or registered trademarks of their respective holders.

Copyright© 2007 National Semiconductor Corporation

For the most current product information visit us at [www.national.com](http://www.national.com)



**National Semiconductor  
Americas Customer  
Support Center**  
Email:  
[new.feedback@nsc.com](mailto:new.feedback@nsc.com)  
Tel: 1-800-272-9959

**National Semiconductor Europe  
Customer Support Center**  
Fax: +49 (0) 180-530-85-86  
Email: [europe.support@nsc.com](mailto:europe.support@nsc.com)  
Deutsch Tel: +49 (0) 69 9508 6208  
English Tel: +49 (0) 870 24 0 2171  
Français Tel: +33 (0) 1 41 91 8790

**National Semiconductor Asia  
Pacific Customer Support Center**  
Email: [ap.support@nsc.com](mailto:ap.support@nsc.com)

**National Semiconductor Japan  
Customer Support Center**  
Fax: 81-3-5639-7507  
Email: [jpn.feedback@nsc.com](mailto:jpn.feedback@nsc.com)  
Tel: 81-3-5639-7560